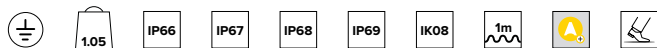
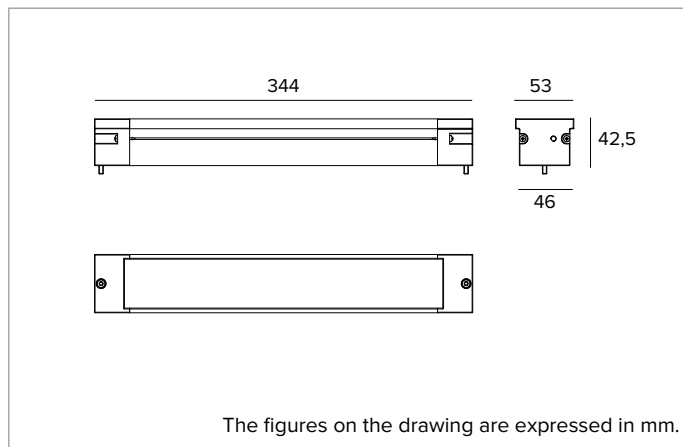


## 1E3561 | JEDI COMPACT Outdoor Recessed Recessed linear LED projector



		2700K	H(m)	D1(m)	D2(m)	E <sub>max</sub> (lx)	
		Ra80	85°	32°			
Fixture Power	12W	1	1.84	0.57	1129		
Source Flux	1615lm	2	3.68	1.14	282		
Fixture Flux	1207lm	3	5.52	1.70	125		
Efficacy	101lm/W	4	7.36	2.27	71		
TS1084	I <sub>max</sub> =699cd/klm	I <sub>max</sub>	1129cd	5	9.20	2.84	45



The figures on the drawing are expressed in mm.

### SOURCE

High Power High Efficiency Ra80 linear LED board. Ra90 on request.

**Energy efficiency class:** E

**Nominal power:** 12W

**Nominal flux:** 1615lm

**Colour rendering index:** 80

**Rf:** 83

**Rg:** 97.3

**CCT nominal:** 2700K

**Lifetime (L80/B10):** >50000h tq +25°C

### ILLUMINOTECHNICAL CHARACTERISTICS

Internal optical system composed of a primary cylindrical glass lens, a high reflectance anodised aluminium reflector and an integrated holographic filter. Flood version.

**Optic:** HYBRID

**Beam angles:** FL

**Optical efficiency:** 75%

**Fixture flux:** 1207lm

**Luminous efficacy:** 101lm/W

**Photobiological safety:** Compliant with RG1 low risk group

### MECHANICAL CHARACTERISTICS

Extruded anodised aluminium 15µ body. Extra clear 5mm thick glass flat screen.

**Colour and finish:** Aluminium

**Dimensions:** L=344mm

**Weight:** 1.05Kg

**Version:** REMOTE DRIVER

**Degree of protection:** IP66,IP67,IP68,IP69

**Mechanical Resistance:** IK08

### ELECTRICAL CHARACTERISTICS

Remote driver version. The optical unit is pre-cabled with a 1 metre 3x1mm<sup>2</sup> H07RN-F cable. Electronic ON-OFF or DALI power supply, pre-cabled with a 1 metre 3x1mm<sup>2</sup> H07RN-F cable for the connection to the optical unit and a 3x1mm<sup>2</sup> or 5x1mm<sup>2</sup> cable for the connection to the mains and to the DALI. Casambi control system available as an accessory (only for DALI versions).

**Fixture Power:** 12W

**Power supply:** 500mA

**Insulation Class:** CLASS 1

**Driver included:** NO

**Class F:** YES

**Ambient temperature:** -25°C / +35°C

### INSTALLATION

To be completed with an anodised aluminium outer casing suitable for in-line installation and external looping.

### NOTES

Uses the "Waterblock Smart" technical solution that involves resin coating the connection cables, limiting the risk of humidity reaching the driver or the fixture. 110-277Vac version available on request. Values related to the power consumption of the fixture do not take into account the consumption of the accessory driver, which depends on the choice of driver. IP68: the projector is not suitable for permanent underwater installation but can withstand temporary accidental immersion to a depth of 2 metres (max.24h). IP69: IEC/EN 60529 standard compliant. Commissioning of the control system via free APP; the intervention of a specialist technician can be quoted on request.

### WARRANTY

5 years.

### WARNING

Luminaire designed for disposal/recycling at end-of-life. Replaceable (LED only) light source by a professional.

*Due to the technological evolution of the electronic components, the data provided may be updated, and as such, confirmation must be requested during the order process.*

*Luminous flux and power supply have +/-10% tolerances with respect to the indicated value. tq +25°C (CIE 121).*

*We reserve the right to make technical changes.*

Targetti Sankey S.r.l.  
Via Pratese, 164  
50145 Firenze - Italy  
Tel: +39 055 37911  
targetti.com  
targetti@targetti.com

CCIAA Firenze  
Share Capital:  
€ 500.000,00  
VAT N. (IT):  
01537660480  
R.E.A.: FI-275656

**TARGETTI**

## 1E3561 | JEDI COMPACT Outdoor Recessed Recessed linear LED projector

### Related codes

#### Insertion Box

L mm	H mm	P mm	Code
348	58	94	<b>1E3729</b>

Aluminium outer casing for Jedi Compact with remote driver.

#### Power Supply



Code

**1E3557**

ON-OFF power supply kit made of an aluminium watertight box (LxHxP=270x49.5x44mm) complete with power supply input cable (1 metre, type H07RN8-F, 3G1mm<sup>2</sup>) and an output cable to the fixture (1 metre, type H07RN8-F, 3G1mm<sup>2</sup>).

For the L 312.5/344mm versions.



Code

**1E3559**

DALI power supply version kit composed of an aluminium watertight box (LxHxP=486x49.5x44mm) complete with power supply input cable (1 metre, type H07RN8-F, 5G1mm<sup>2</sup>) and an output cable to the fixture (1 metre, type H07RN8-F, 3G1mm<sup>2</sup>).

For the L 312.5/344/593.5/625mm versions.

### Accessories

#### Tool



Code

**1E3305**

Tightening wrench for the connector kit.

#### Connector



Code

**1E2769**

Linear connection box IP66/IP68.

5 poles max. wire section 1.5mm<sup>2</sup>.

Cable diameter range from 7 to 12mm.



Code

**1E2494**

Multiple connection box IP68.

1 IN - 3 OUT 4 poles max. wire section 2.5mm<sup>2</sup>.

Cable diameter range from 6 to 12mm.



Code

**1E3184**

IP68 4-way cable connector (5 pole).

*Due to the technological evolution of the electronic components, the data provided may be updated, and as such, confirmation must be requested during the order process.*

*Luminous flux and power supply have +/-10% tolerances with respect to the indicated value. tq +25°C (CIE 121).*

*We reserve the right to make technical changes.*

Targetti Sankey S.r.l.  
Via Pratese, 164  
50145 Firenze - Italy  
Tel: +39 055 37911  
targetti.com  
targetti@targetti.com

CCIAA Firenze  
Share Capital:  
€ 500.000,00  
VAT N. (IT):  
01537660480  
R.E.A.: FI-275656

**TARGETTI**

## 1E3561 | JEDI COMPACT Outdoor Recessed Recessed linear LED projector

### Control systems



Code

**1E3048**

IP67 wireless control unit with DALI interface.

It generates a local DALI2 bus, enabling a direct connection to a DALI interface LED driver.

The module can only be used in a closed system and cannot be connected to an existing DALI network.

The module is wireless controlled using a Casambi app for smartphones and tablets using Bluetooth 5.0 technology.

The devices automatically create an adaptive, robust, and reliable wireless mesh network, allowing for the easy and efficient management of a high number of fixtures.

The control unit is preset to the DALI 1CH profile, meaning the device can control a single DALI driver with broadcast commands.

In addition to the DALI broadcast, other operating modes are available, such as:

- Button (normally open)
- Control unit 0/1-10V
- Control unit DALI Tunable White DT8
- Presence sensor



Code

**1E4369**

IP67 Extender for wireless control of LED driver with dimming DALI interface based on Casambi technology.

It has a DALI2 output with the capacity to control up to 40 lighting fixtures.

With the addition of a further external BUS DALI power supply it is possible to control up to 64 fixtures.

IP67 Extender is preset to the DALI broadcast profile, meaning all the luminaires connected to it are dimmable at the same level.

In addition to the DALI broadcast other operating modes are available, such as:

- EXTENDER DALI 8CH
- EXTENDER DALI Tunable White
- EXTENDER DALI 4CH
- EXTENDER DALI DT8 Tunable White

### Surge protector



Code

**A013A**

Surge protector compatible with CLASS I lighting fixtures.

Operating voltage 230-277Vac.

SPD type 2+3.

Max surge protection 10kV.

CLASS I

IP67

*Due to the technological evolution of the electronic components, the data provided may be updated, and as such, confirmation must be requested during the order process.*

*Luminous flux and power supply have +/-10% tolerances with respect to the indicated value. tq +25°C (CIE 121).*

*We reserve the right to make technical changes.*

Targetti Sankey S.r.l.  
Via Pratese, 164  
50145 Firenze - Italy  
Tel: +39 055 37911  
targetti.com  
targetti@targetti.com

CCIAA Firenze  
Share Capital:  
€ 500.000,00  
VAT N. (IT):  
01537660480  
R.E.A: FI-275656

**TARGETTI**